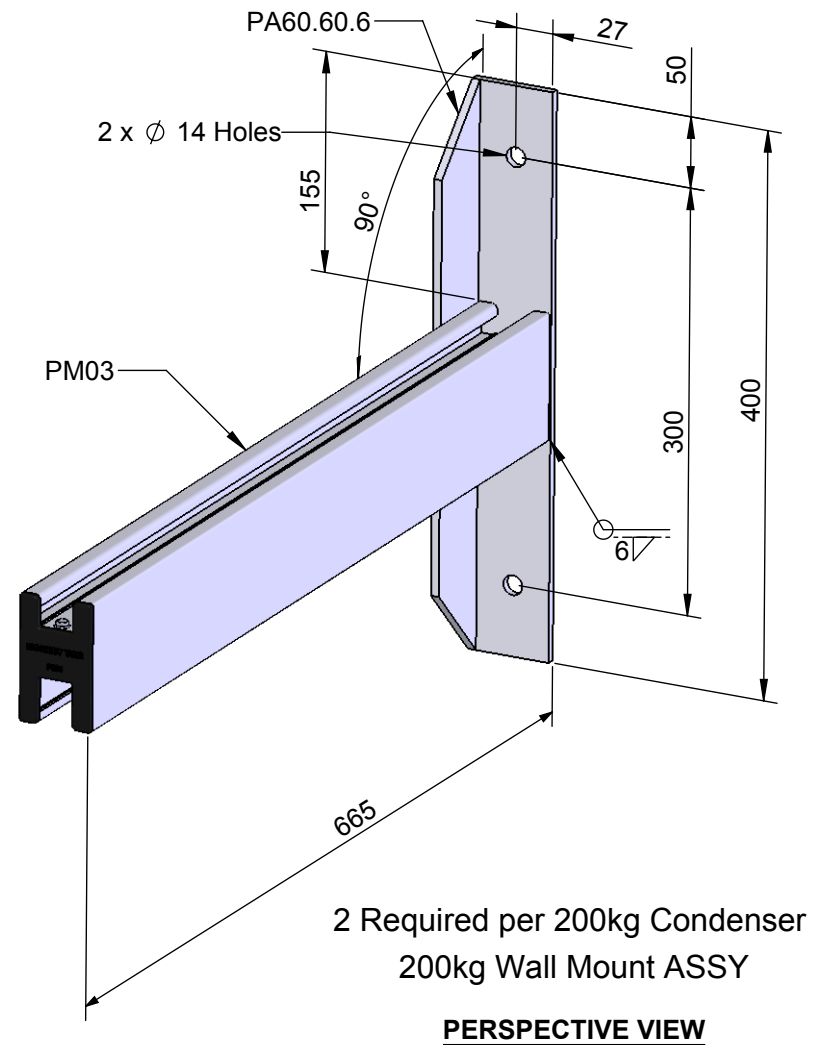
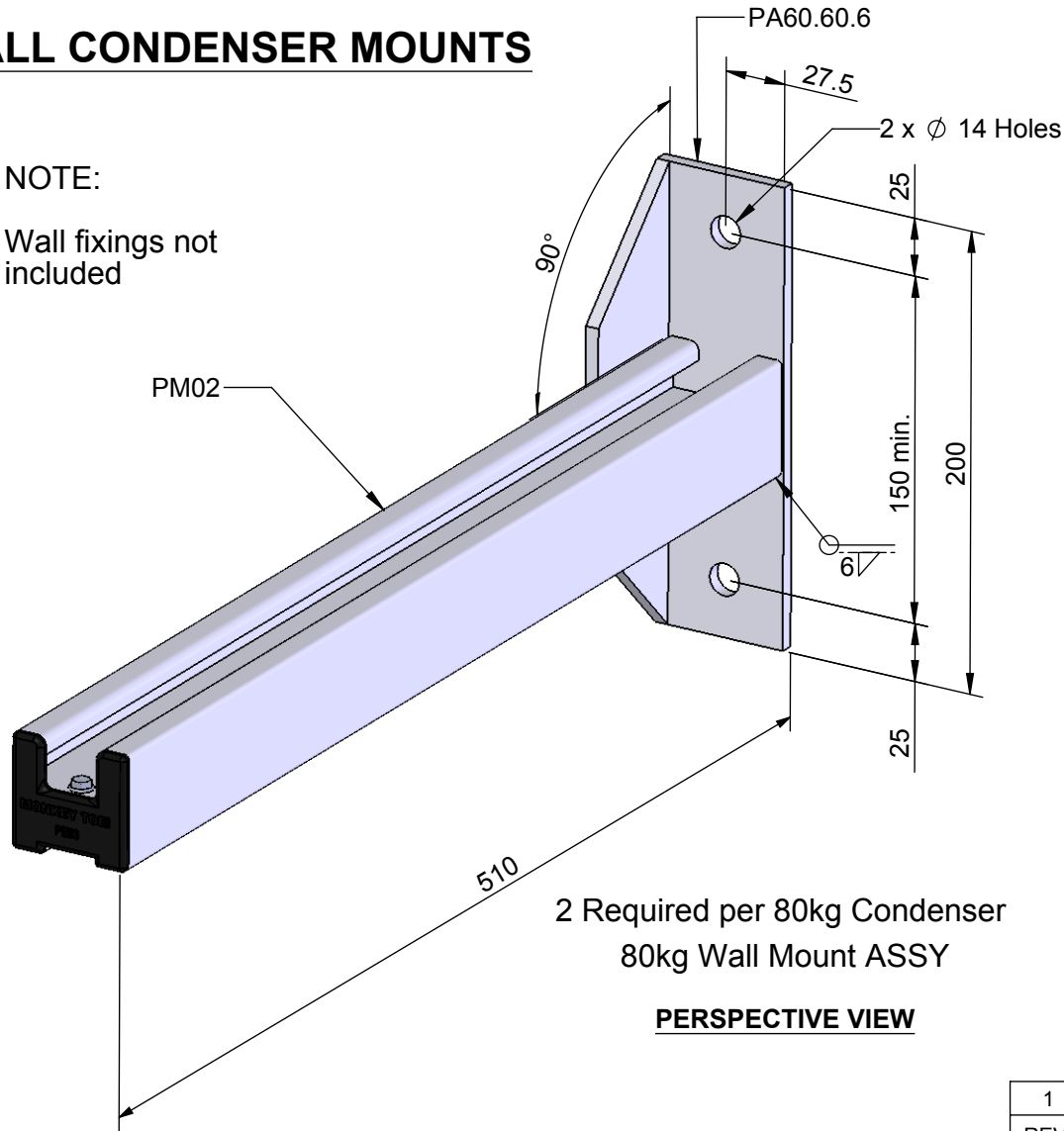


WALL CONDENSER MOUNTS

NOTE:
Wall fixings not included



REV.	DATE	DESCRIPTION	DRN	CHK'D	APP'D
1	2/04/2014	Issued for review	AK	BP/JH	DT

MONKEYTOE SYSTEMS LTD 45 MAWHITIWHITI ROAD, NORMANBY, TARANAKI, NEW ZEALAND TEL: (06) 272 8708 FAX: (06) 272 8718 0800 658 637 www.monkeytoe.co.nz	TITLE: Wall Condenser Mounts	
	PROJECT: CS Design Library Components	
	DWG No: MKT-CW-PS1	CW
	SHEET 1 OF 1	A4
DO NOT SCALE	IF IN DOUBT ASK	SCALE: NTS

DIMENSIONS IN MILLIMETERS

This drawing and associated design is the copyright and property of Monkey Toe Systems Ltd. It shall not be used for any purpose or project, without prior written consent other than that designated by Monkey Toe Systems Ltd. ©